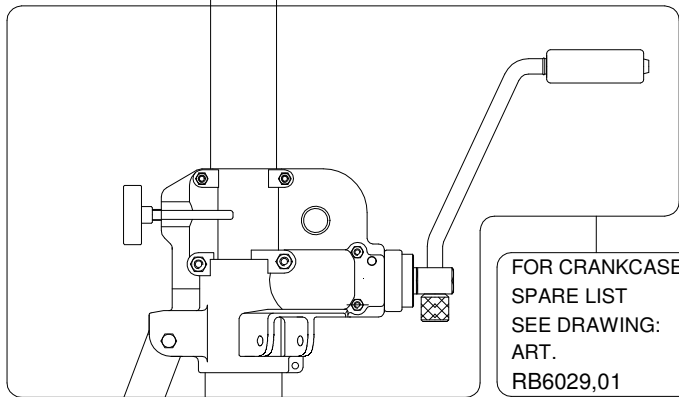
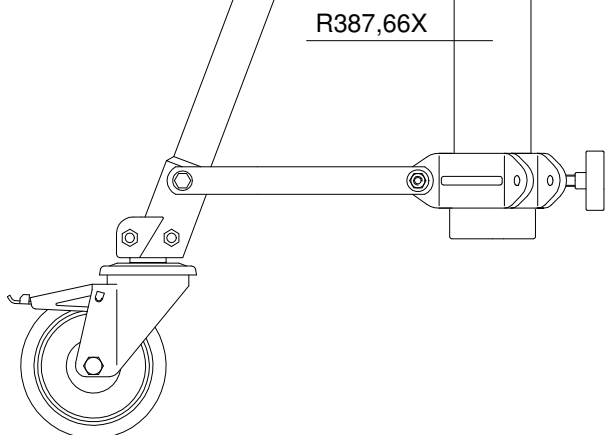
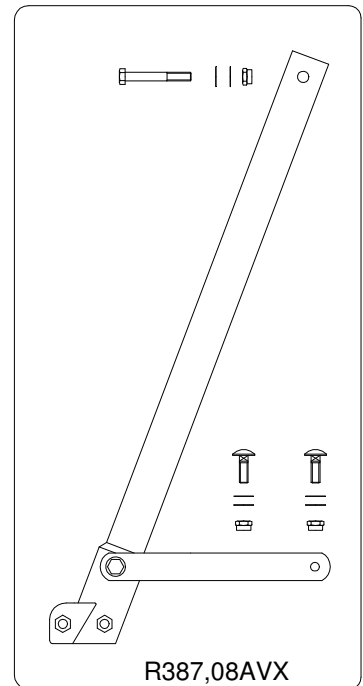
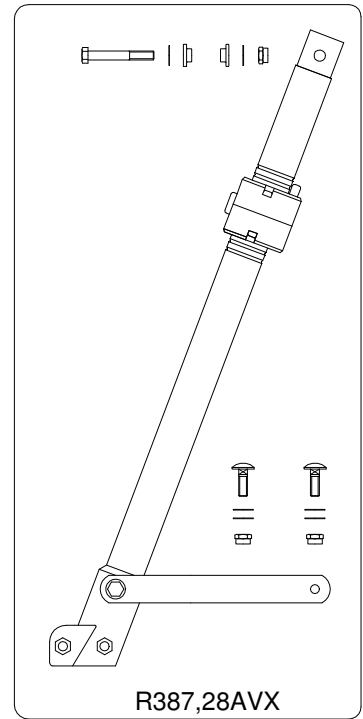
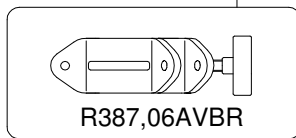
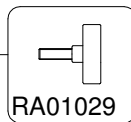
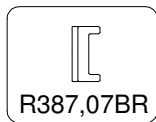
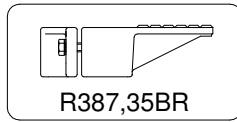
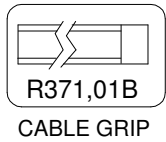


FOR 3rd SCT  
SPARE LIST  
SEE DRAWING:  
ART.  
RB6029,02

FOR GEARED COLUMN  
ORDER CODE:  
R387,19



FOR CRANKCASE  
SPARE LIST  
SEE DRAWING:  
ART.  
RB6029,01



FOR WHEEL  
SPARE LIST  
SEE DRAWING:  
ART. 474

