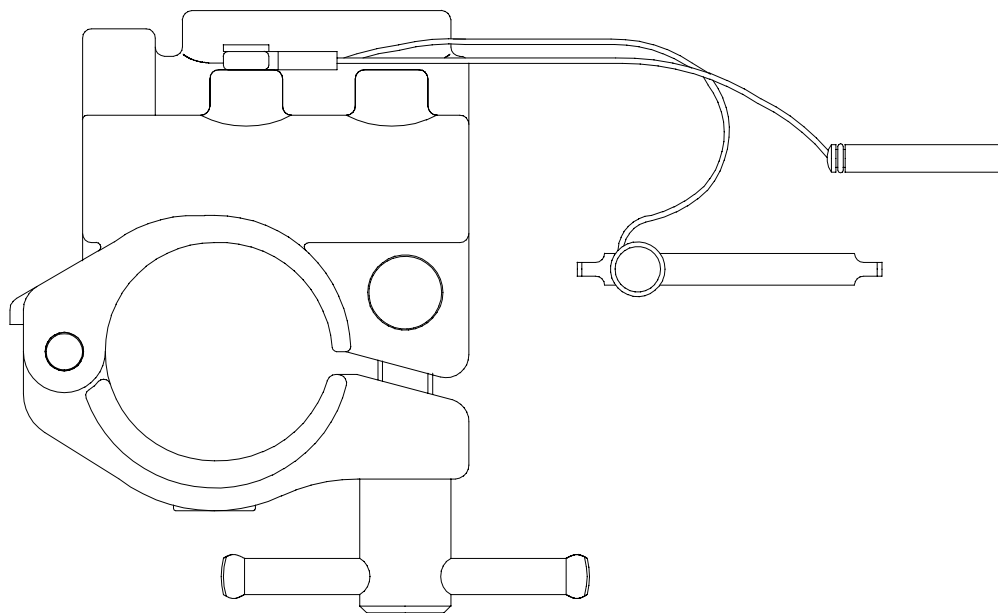
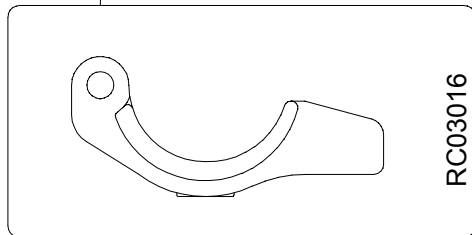


Avenger
Studio Equipment - srl
Spare Parts List

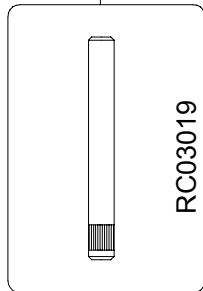


C350

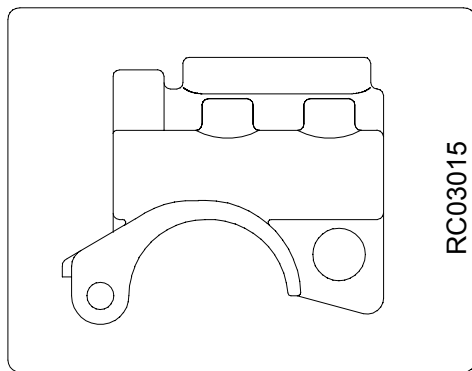
VERSION: 002
1995-07-01



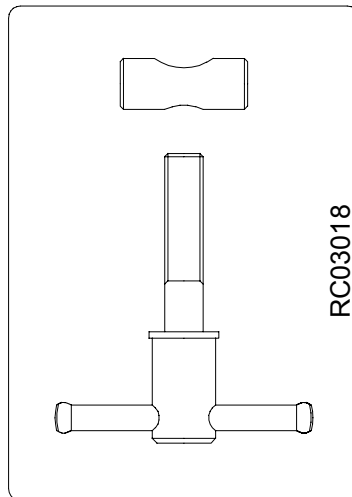
RC03016



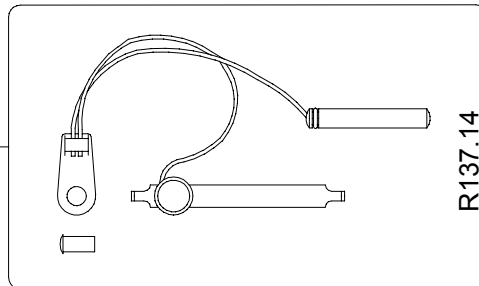
RC03019



RC03015



RC03018



R137.14